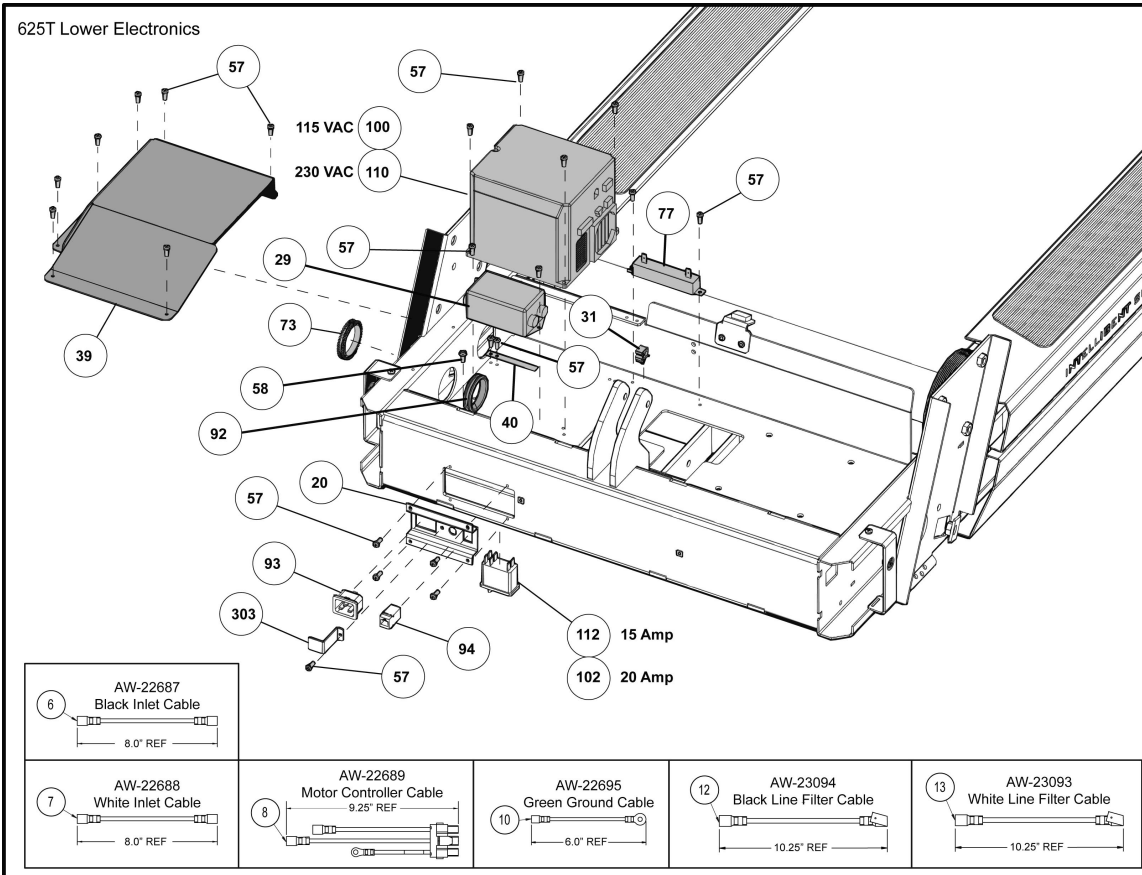


## Part Diagrams

Product Line: Treadmills

Product: 625T: 625T



Bulb #	Part Number	Name	Description	Notes	Price
6	<b>AW-22687</b>	WIRE,8 JUMPER, <b>BLACK</b>			
7	AW-22688	WIRE,8 JUMPER, WHITE			
8	<b>AW-22689</b>	CABLE,MOTOR CONTROLLER			
10	AW-22695	WIRE,6 INLET GND JUMPER			
12	<b>AW-23094</b>	WIRE10-1/4IN JUMPER <b>BLACK</b>			
13	AW-23093	WIRE10-1/4IN JUMPER WHITE			
20	AF-22607	POWER INLET PLATE			
29	<b>EC-18896</b>	FILTER,16A			
31	EH-20254	CLIP,WIRE RETAINER,,24-.47DIA .1			
39	FS-23008	COVER,CONTROLLER			
40	FS-23041	GROUND STRAP,CONTROLLER			
57	<b>HS-21672</b>	SCREW,#8-32-1/2" TT,TRILOBULAR			

58	HS-22815	SCREW,10-32 X .50,TAPTITE,GREEN G			
73	HX-22832	GROMMET, MOLDED, CUT TO LENGTH 5.62			
77	RE-23040	RESISTOR, TM5 DYNAMIC BRAKE, 7.5IN			
92	EH-16809	GROMMET, 1.12X.091-.125 NYLON			
93	EH-22691	INLET IEC320 16-20AMP SNAP FIT			
94	CN-22747	COUPLER, RJ45 PANEL MOUNT			
100	AD-23914	Lower Controller, 115VAC			
102	SW-19667	SWITCH, THERMAL CB, 20AMP 240V, R			
110	AD-23915	CONTROLLER, 230VAC			
112	SW-19666	SWITCH, THERMAL CB, 15AMP 240V, R			
303	FS-23071	BRACKET, POWER CORD RETAINING			